



Client: Sirjan Iranian Steel Co. 	Project: Engineering Services for Sirjan Iranian Steel Co. (Bardsir)	Consultant: Iranian Fartak Co. 
	Doc. Title: MTO FOR EAF EMERGENCY TILTING SYSTEM	
	Consultant Doc. NO.: IF-RO-MT-SI11-00 Rev.: 01	
Date: 1401.07.12	Client Doc. No.: I491-F-M07-MC-FK-01-01-01 Rev.: 01	Page no.:

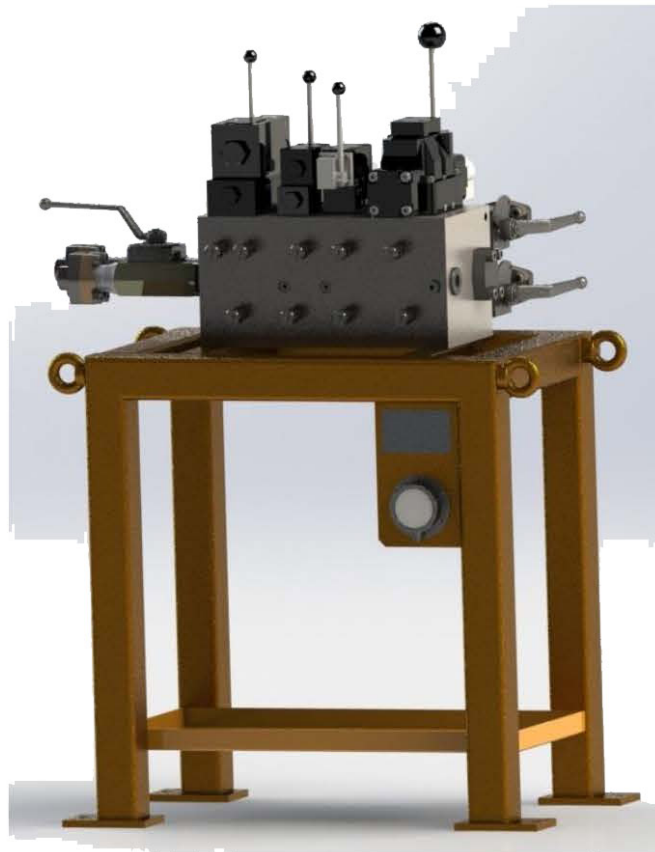
ITEM	QTY.	UNIT	CODE NO.	DESCRIPTION	SUPPLIER	F/L
EAF EMERGENCY MANUAL VALVE STAND						
23	1	PC	OM-2164	MANIFOLD BLOCK		LOCAL SUPPLY
24	3	PC	KHB-25-F3-1114-02X-A	BALL VALVE	HYDAC	FOREIGN SUPPLY
25	1	PC	FT-257/6 1"	CHECK VALVE	F.LLI TOHNELLA	FOREIGN SUPPLY
26	1	PC	D4L001C5N	MANUALY Directional Valve	PARKER	FOREIGN SUPPLY
27	1	PC	D1VL020BN	MANUALY Directional Valve	PARKER	FOREIGN SUPPLY
28	1	PC	CM2TTV	MODULAR Check Valve	PARKER	FOREIGN SUPPLY
29	1	PC	D1VL004CN	MANUALY Directional Valve	PARKER	FOREIGN SUPPLY
30	1	PC	CP0M2DDV	MODULAR PILOT CHECK VALVE	PARKER	FOREIGN SUPPLY
31	1	PC	D3VL004CN	MANUALY Directional Valve	PARKER	FOREIGN SUPPLY
32	1	PC	CPOM3DDN	MODULAR PILOT Check Valve	PARKER	FOREIGN SUPPLY
33	1	PC	16*2 + 16*2	MINIFLEX	OLEOTEC	FOREIGN SUPPLY
34	1	PC	D 63 0-250 BAR FLANGIATO BADIALE	MANOMETER	N. FIMA	FOREIGN SUPPLY
35	1	PC	-	FRAME		LOCAL SUPPLY



Corte Franca (BS) tel 030.7364017 fax 030.7461717
e.mail : info@oiltecsrl.it



EAF EMERGENCY MANUAL VALVE STAND



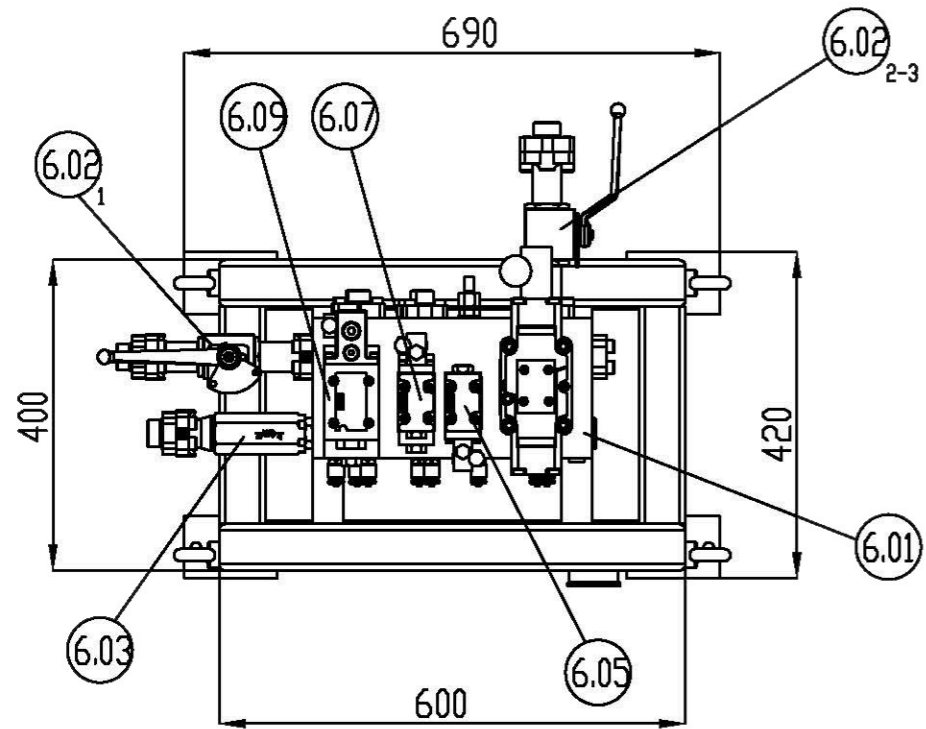
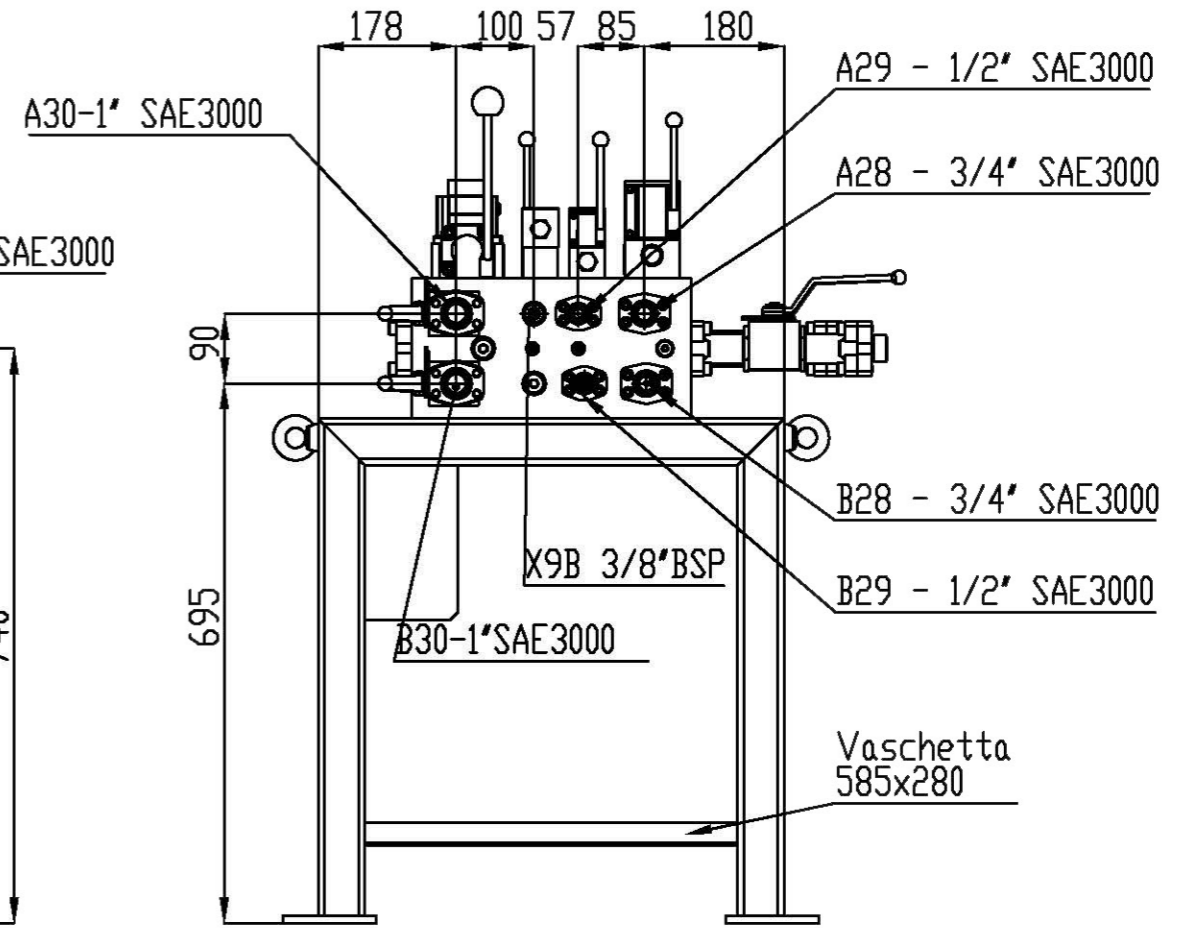
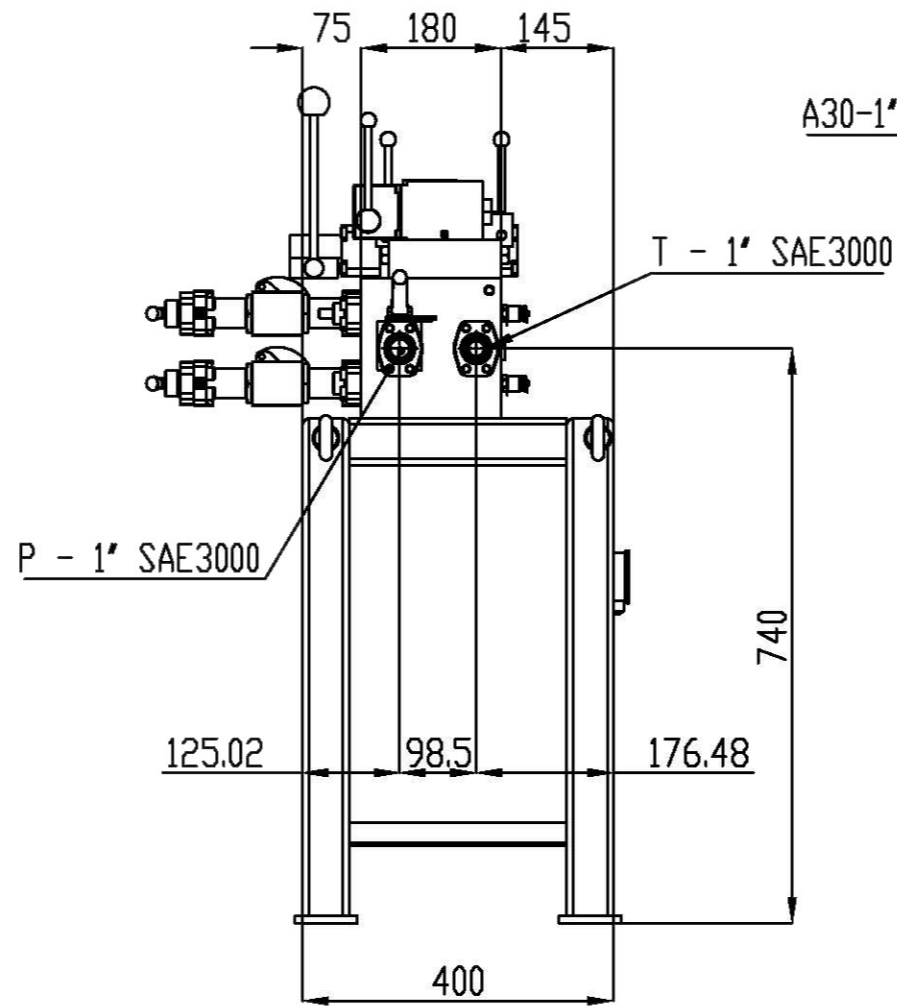
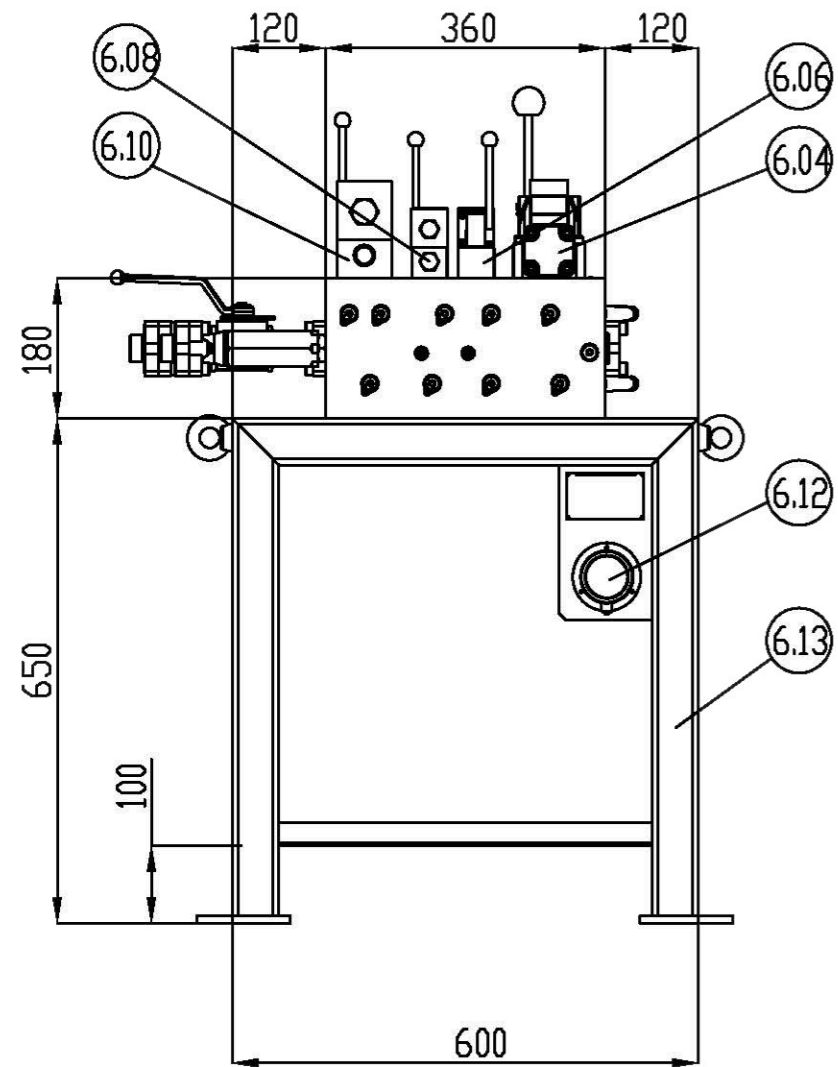


Corte Franca (BS) tel 030.7364017 fax 030.7461717
e.mail info@oiltecsrl.it

Technical
Documentation



Topographical





Corte Franca (BS) tel 030.7364017 fax 030.7461717
e.mail info@oiltecsrl.it

Technical
Documentation



شرکت فولاد تجهیز امید کارمانیا
OMID KARMANIA STEEL EQUIP

Hydraulic diagrams

